



## Handling System for Dishwasher Mobile roller conveyors

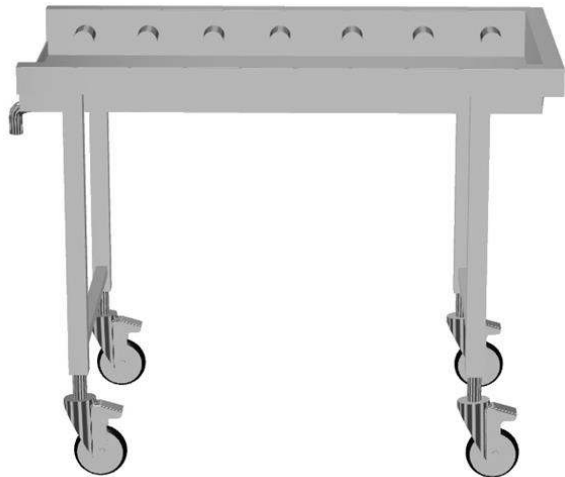
ITEM # \_\_\_\_\_

MODEL # \_\_\_\_\_

NAME # \_\_\_\_\_

SIS # \_\_\_\_\_

AIA # \_\_\_\_\_



865200 - 863052 - 863053 - 863054 - 863055 - 865201 -  
863056 - 863057 - 863058 - 863059 - 865202 - 863060 -  
863061 - 863062 - 863063 - 863064

### Short Form Specification

Item No. \_\_\_\_\_

Constructed in 304 AISI stainless steel. Basin with sloping bottom.

Short plastic rollers. Square 40x40mm square legs.

N. 4 swiveling casters, 2 with brakes, 125mm in diameter.

Designed for 500x500mm dishwashing baskets.

Knock-down delivery.

Integrated end plate and end limit switch.

### Main Features

- Designed to transport 500x500 mm dishwashing baskets.
- "Click-in" connection to the dishwasher curve.
- Four legs included with swivel type casters plus "click-in" connection to the dishwasher curve easily removable for quick access. Two casters equipped with brakes to stabilize the position of the conveyor during normal operation.
- The table can be used in unloading side.
- Manual rack movement with short rollers.
- Supplied knocked-down and easy to assemble.
- Connection of mobile conveyors after a 180° dishwasher driven curve.
- End limit switch and end plate included.
- Connection of end-limit switch to the dishwasher.

### Construction

- All surfaces smooth with polished finish.
- AISI 304 1,2mm stainless steel basin.
- 40x40mm stainless steel tubular and square legs.
- Conveyors optionally equipped with guides for racks and plain shelves.
- Swivel type 125 mm castors, of which 2 with brakes.
- Sloping drain below the conveyor leads to the central draining point with a connected dishwasher curve.

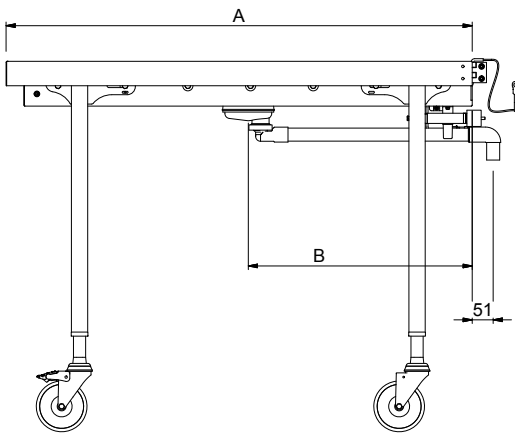
### Sustainability



- The mobile roller conveyor available from 1145mm (for 2 racks) up to 2645mm (for 5 racks) with 100mm-step length.

APPROVAL: \_\_\_\_\_

Front


**Key Information:**
**External dimensions, Width:**

865200 (HSSRC11M)	1145 mm
863052 (HSSRC12M)	1200 mm
863053 (HSSRC13M)	1300 mm
863054 (HSSRC14M)	1400 mm
863055 (HSSRC15M)	1500 mm
865201 (HSSRC16M)	1645 mm
863056 (HSSRC17M)	1700 mm
863057 (HSSRC18M)	1800 mm
863058 (HSSRC19M)	1900 mm
863059 (HSSRC20M)	2000 mm
865202 (HSSRC21M)	2145 mm
863060 (HSSRC22M)	2200 mm
863061 (HSSRC23M)	2300 mm
863062 (HSSRC24M)	2400 mm
863063 (HSSRC25M)	2500 mm
863064 (HSSRC26M)	2600 mm

**External dimensions, Depth:**

620 mm

**External dimensions, Height:**

910 mm

**Net weight:**

865200 (HSSRC11M)	21 kg
863052 (HSSRC12M)	22 kg
863053 (HSSRC13M)	22.71 kg
863054 (HSSRC14M)	24 kg
863055 (HSSRC15M)	25 kg
865201 (HSSRC16M)	26 kg
863056 (HSSRC17M)	27 kg
863057 (HSSRC18M)	28 kg
863058 (HSSRC19M)	29 kg
863059 (HSSRC20M)	30 kg
865202 (HSSRC21M)	31 kg
863060 (HSSRC22M)	32 kg
863061 (HSSRC23M)	33 kg
863062 (HSSRC24M)	34 kg
863063 (HSSRC25M)	35 kg
863064 (HSSRC26M)	36.1 kg

**Height adjustment:**

50/50 mm

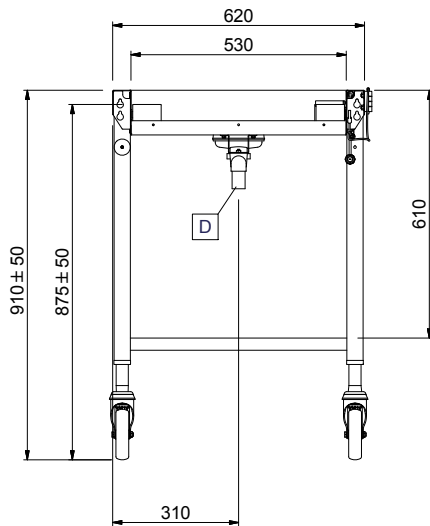
**Basin material:**

1.4301

**Type of rollers:**

Short

Side



Top

